

Compact and versatile.

K3-series continuous centrifugals for efficiency in operation, the right match for every process, and perfect human-machine-interaction.

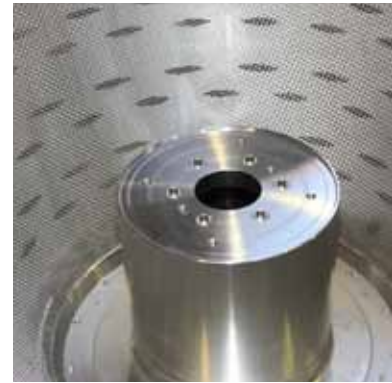


A new addition:
the K3080
for use in refineries, as
a replacement for the
K850 and K1100,
etc.

BMA 



Outstanding efficiency, a wide range of options, intuitive operation.



K3080 elliptical basket openings®

Since 1947, BMA has been setting standards in the design of sugar centrifugals – thanks to knowledge gained over many years and our broad range of process expertise. Always focusing on improving your plants. More than 8,000 commissioned centrifugals are evidence of our success.

The strengths of K3-series continuous centrifugals include their technical performance, wide range of model variants and intuitive operation. They can be used in beet and cane sugar factories or in refineries.

Via the charging device, the massecuite, water and steam are continuously fed into the product distributor, where they are thoroughly mixed, evenly distributed and accelerated. Then the mixture enters the conical basket. The larger the basket diameter, the greater the centrifugal force, efficiently separating the mother liquor from the sugar crystals. These pass via the basket edge into the sugar chamber, dropping continuously onto the conveying unit to be installed below it.

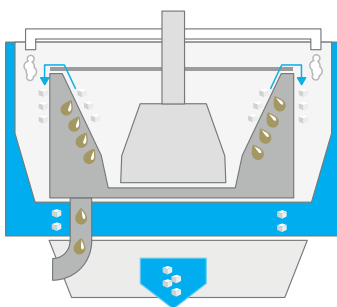
The basket is driven from below by an external AC motor via a V-belt. Whether your focus is on throughput or on

sugar or syrup quality – our K3-series continuous centrifugals can be configured to meet your needs: the perfect design for every process requirement.

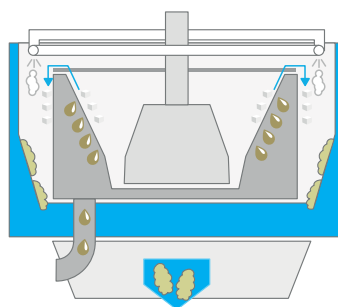
Design features

- Patented basket design for quick syrup discharge
- Improved product distributors for perfect massecuite conditioning
- Double-angled basket for high throughputs*
- Suitable housing types for all process requirements
- Very smooth running thanks to improved vibration isolation
- Reduced use of wear parts, use of maintenance-free components
- Newly designed screen clamping to permit quick and simple screen replacements

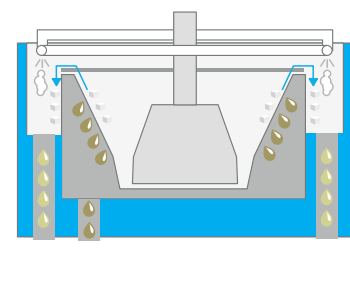
Housing types



Dry discharge via cone-crystalline sugar



Dry or wet discharge via cone-crystalline sugar, massecuite or sugar solution



Wet discharge via pipeline-massecuite or sugar solution



Bringing out the best. Benefits at a glance.

Maximum output and minimum input – this definition of efficiency also applies to centrifugals. For BMA it means having to find the perfect balance between throughput and availability on the one hand, and investment and maintenance costs and the need for parts on the other.

Perfect operation: efficient processes

- Can be configured for different process aims: throughput – output – sugar quality – molasses purity
- Turbo3 product distributor can improve performance by up to 10 %*
- Water and steam application rates can be adjusted for a higher sugar output
- Elliptical basket openings and enhanced product conditioning for high energy efficiency
- Maximum availability thanks to minimal maintenance requirements
- Hard-wearing design, e.g. rubber buffers with an expected service life of up to 8 years**

Perfect interaction: human-machine team

- Plug-and-produce: quick installation and commissioning
- Focus on ergonomics
- Ease of use thanks to compact design
- Good accessibility thanks to improved maintenance openings
- Screens can be replaced in just 30 minutes

Perfect fit: the right match

- Flexibility thanks to custom configurations
- Discharge of crystalline sugar, massecuite or sugar solution
- Automation systems based on Siemens, Rockwell or Schneider
- Optional frequency converter for speed adjustment

Meets maximum safety and hygiene standards

- Vibration sensor for greater reliability as standard
- V-belt tension monitoring as standard*
- Parts that come into contact with the product are made from stainless steel
- Optional lubrication with food-grade grease
- Fewer contamination areas by placing a single front cover across several machines

* K3300 model

** During normal operation, with routine maintenance



Machines and automation from a single source

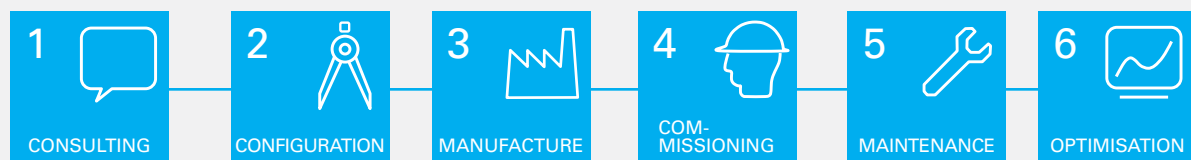
Based on a tried and tested PLC, BMA's own automation system, designed specifically for this application, perfectly meets sugar centrifugal requirements. A local touch panel (HMI) ensures simple operation. The operating parameters can be set and adjusted to varying conditions. Developments in, for instance, power consumption, vibrations or water addition are clearly displayed. Integration with a higher-level process control system is available as an option. Triple benefit: simple operation, process control, and reproducible results.



7" colour touchscreen

BMA Service: from the first consultation to the finishing touches

Whatever your process requirements may be, BMA will help you find a suitable solution. We will be an expert partner you can rely on throughout – from choosing a configuration from our extensive product range, to professional commissioning, and to regular maintenance. And if you need more than single centrifugals, we can develop and supply a complete centrifugal station, including all the necessary parts and equipment. We are, after all, a provider of integrated solutions.



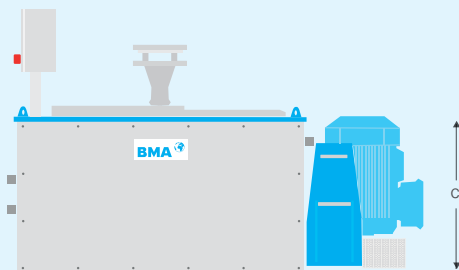
Facts and figures.

Performance in brief.

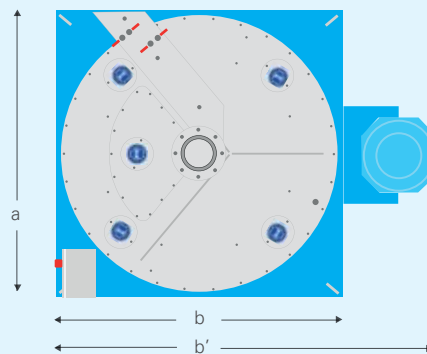


Sampler

Side view



View from above



Dimensions and weights

		K3080		K3300	
Basket diameter top	mm	1080		1300	
Length a	mm	1800		1990	
Depth b / b' incl. motor	mm	1800 / 2520		1990 / 2800	
Height c	mm	960		1030	
Weight	kg	2300		3400	
Basket angle	°	30		14/30 (25/27 ¹⁾)	

Throughputs²⁽³⁾

			K3080				K3300			
			55 kW / 50 Hz		67 kW / 60 Hz		90 kW / 50 Hz		104 kW / 60 Hz	
	Motor rating	t/h	Typical ²⁾	Max ³⁾	Typical ²⁾	Max ³⁾	Typical ²⁾	Max ³⁾	Typical ²⁾	Max ³⁾
Beet	B product	t/h	15	21	15	25	26	38	26	44
	C product	t/h	9	11	9	13	16	20	16	24
	C affination	t/h	11	15	11	18	19	28	19	32
Cane	B product	t/h	14	20	14	23	25	35	25	40
	C product	t/h	8	11	8	13	14	20	14	23
	Raw sugar affination	t/h	15	21	15	25	26	38	26	44
Refinery	A product	t/h	15	21	15	25	26	38	26	44
	B product	t/h	14	20	14	23	25	35	25	40
	C product	t/h	8	11	8	13	14	20	14	23

1) Varies depending on massecuite quality and model.

2) Typical throughput.
Max. throughput for good sugar quality; depending on massecuite quality.

3) Maximum throughput.
Max. throughput for top machine design; limited by motor rating (sugar quality slightly lower than 2)

BMA Automation

Phone +49 531 804-261
Fax +49 531 804-269
sales@bma-automation.com

BMA America

Phone +1 970 351 0878
Fax +1 970 351 0190
info@bma-us.com

BMA Brazil

Phone +55 11 3097 9328
info@bma-br.com

BMA China

Phone +86 871 6832 5226
Fax +86 871 6832 6329
sales@bma-cn.com

BMA France

sales@bma-fr.com

BMA MENA Industries

Phone/Fax +216 71 181 823
info@bma-mena.com

BMA Russia

Phone/Fax +7 473 260 6991
info@bma-ru.com

BMA Turkey

sales@bma-tr.com

BMA – Passion for Progress

For over 160 years, BMA has been developing and manufacturing machinery and equipment for industrial-scale sugar production. BMA system solutions for sugar factories and refineries are in demand wherever minimum energy consumption and consistently high product quality are top priorities. With our more than 650-strong workforce around the globe and in-depth knowledge of process engineering, BMA's service profile is unique in the sugar industry.



© BMA

Postfach 32 25
38022 Braunschweig
Germany
Phone +49 531 804-0
Fax +49 531 804-216
sales@bma-de.com

www.bma-worldwide.com